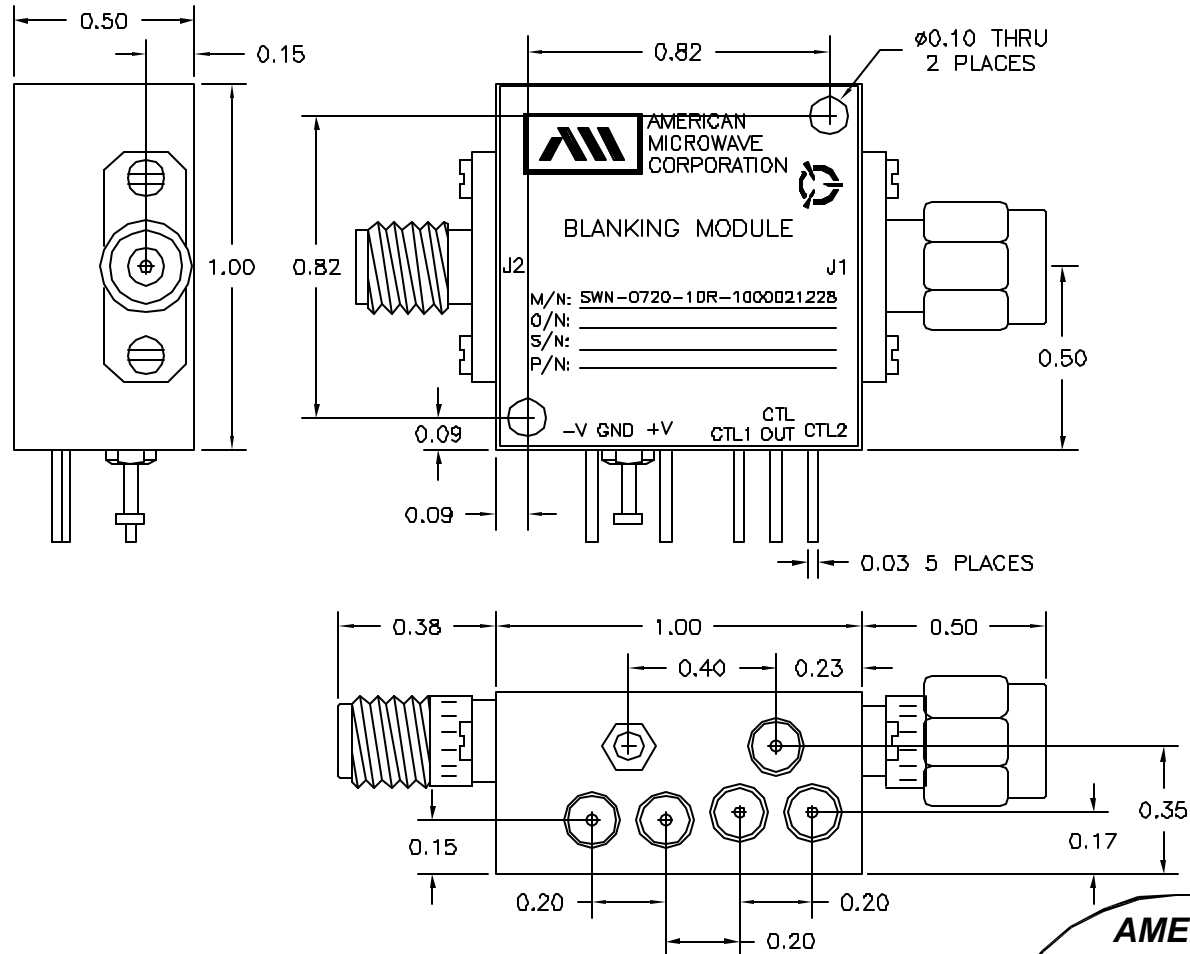


DESCRIPTION

AMC MODEL SWN-0720-1DR-1000021228 IS A 70 MHz TO 20.5 GHz, REFLECTIVE SINGLE POLE SINGLE THROW SWITCH/RF BLANKING MODULE WITH AN INSERTION LOSS (PASS MODE) AT +10 dBm INPUT OF 2.0 dB MAXIMUM AND AN ISOLATION (BLANKING MODE) OF 33 dB MINIMUM.

REVISIONS				
ZONE	REV.	DESCRIPTION	DATE	APPROVED
	-	ORIGINAL RELEASE JOB# 407148E	7/30/04	



MECHANICAL OUTLINE

ALL DIMENSIONS ARE IN INCHES
TOLERANCES:
X.XX ±0.010
X.XXX ±0.005

AMERICAN MICROWAVE CORPORATION

7311-G GROVE ROAD
FREDERICK, MARYLAND 21704 USA
TEL: 301-662-4700 FAX: 301-662-4938
WEBSITE: www.americanmicrowavecorp.com
E-MAIL: sales@americanmicrowavecorp.com
ISO 9001:2000 CERTIFIED



APPROVALS		DATE	TITLE		REV.
DRAWN <i>FDS</i>		7/30/04	MECHANICAL OUTLINE SWN-0720-1DR-1000021228		-
CHECKED			SIZE A	FSCM NO. 60483	DWG NO. 100-7063
ISSUED			SCALE N:S	SHEET 2 OF 4	

DESCRIPTION

AMC MODEL SWN-0720-1DR-1000021228 IS A 70 MHz TO 20.5 GHz, REFLECTIVE SINGLE POLE SINGLE THROW SWITCH/RF BLANKING MODULE WITH AN INSERTION LOSS (PASS MODE) AT +10 dBm INPUT OF 2.0 dB MAXIMUM AND AN ISOLATION (BLANKING MODE) OF 33 dB MINIMUM.

SPECIFICATIONS

- FREQUENCY RANGE:.....70 MHz TO 20.5 GHz
- INSERTION LOSS, PASS MODE, AT +10 dBm INPUT:.....1.75 dB TYPICAL
2.0 dB MAXIMUM
- ISOLATION, BLANKING MODE:.....33 dB MINIMUM
- INPUT THIRD ORDER INTERCEPT POINT, PASS MODE:.....+10 dBm MINIMUM
- MINIMUM RF INPUT POWER (WITHOUT DAMAGE), PASS MODE:.....+20 dBm CW
- MINIMUM RF INPUT POWER (WITHOUT DAMAGE), BLANKING MODE:.....+50 dBm 10 μ Sec MAXIMUM PULSE
750 Hz RATE
- VSWR, PASS MODE:.....INPUT: 2.0:1 MAXIMUM
OUTPUT: 2.0:1 MAXIMUM
- PULSE RISE TIME:.....<100 nSec
- DC POWER:.....+15VDC @ 75 mA MAXIMUM
-15V @ 75 mA MAXIMUM
- 2 CONTROL INPUTS:.....BLANKING FUNCTION IS ON WHEN EITHER INPUT IS ABOVE 3V
BLANKING IS OFF (PASS MODE ENABLED) WHEN BOTH INPUTS ARE BELOW 2V
EACH CONTROL INPUT IS CAPABLE OF HANDLING 25V PULSES AND OPERATE PROPERLY
NOTE: WITH NO CONNECTION TO THE CONTROL INPUTS, THE UNIT SHALL BE IN PASS MODE.
- 1 CONTROL OUTPUT:.....BUFFERED TTL CONTROL OUTPUT
- SWITCHING SPEED, BLANKING ON OR OFF:
FROM 50% OF 3V PULSE:.....1.0 μ Sec MAXIMUM, ON OR OFF
FROM 50% OF 25V PULSE:.....1.0 μ Sec MAXIMUM, ON OR OFF
- DC INPUT PINS:.....FILTERED SOLDER TURRETS COMPATIBLE WITH
24 GAUGE WIRE
- CONTROL CONNECTORS:.....SOLDER TURRETS COMPATIBLE WITH 24 GAUGE WIRE
EMI FILTERED ABOVE 500 MHz
- RF CONNECTORS:.....INPUT: SMA FEMALE
OUTPUT: SMA MALE

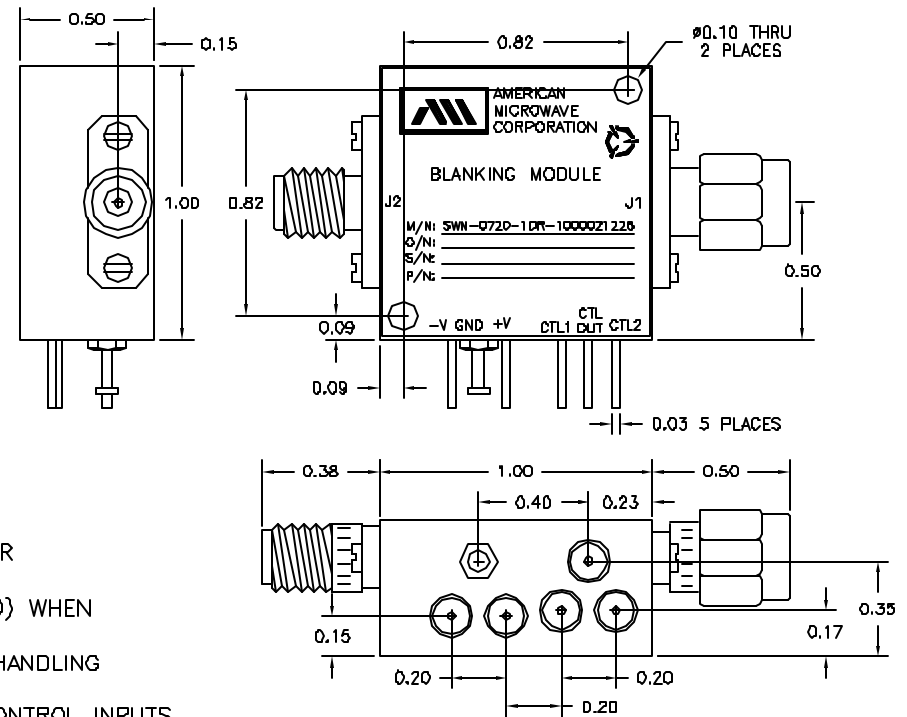
ENVIRONMENTAL RATINGS

- **TEMPERATURE:**.....OPERATING: -20 TO +75°C (AMBIENT)
STORAGE: -30 TO +85°C
- **HUMIDITY:**.....UP TO 95% NON-CONDENSING
- **ELEVATION:**.....SEA LEVEL TO 10,000 FEET

NOTE: SPECIFICATIONS WILL VARY OVER OPERATING TEMPERATURE
NOTE: THE ABOVE SPECIFICATIONS ARE SUBJECT TO CHANGE OR REVISION

ALL DIMENSIONS ARE IN INCHES
TOLERANCES:
XXX ± 0.010
XXX ± 0.005

REVISIONS				
ZONE	REV.	DESCRIPTION	DATE	APPROVED
	-	ORIGINAL RELEASE JOB# 407148E	7/30/04	



AMERICAN MICROWAVE CORPORATION

7311-G GROVE ROAD
FREDERICK, MARYLAND 21704 USA
TEL: 301-662-4700 FAX: 301-662-4938
WEBSITE: www.americanmicrowavcorp.com
E-MAIL: sales@americanmicrowavcorp.com
ISO 9001:2000 CERTIFIED



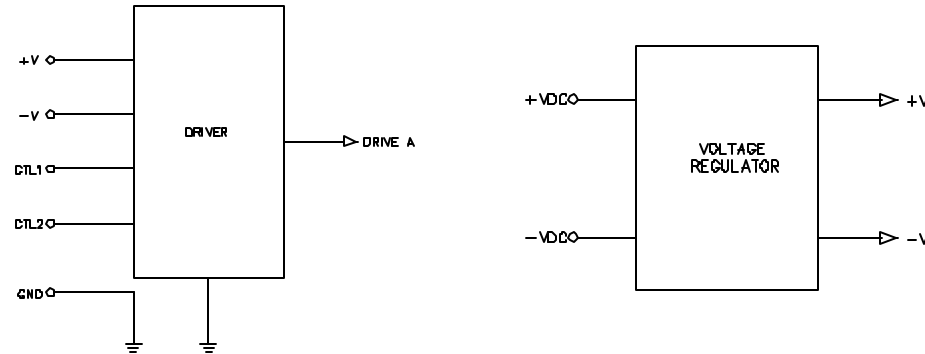
APPROVALS		DATE	TITLE		REV.
DRAWN <i>FDS</i>		7/30/04	PRODUCT FEATURE SWN-0720-1DR-1000021228		
CHECKED			70 MHz TO 20.5 GHz, REFLECTIVE, SPST SWITCH/RF BLANKING MODULE SWITCH		
ISSUED			SIZE A	FSCM NO. 60483	DWG NO. 100-7063
			SCALE N:S	SHEET 1 OF 4	

DESCRIPTION

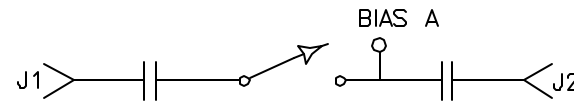
AMC MODEL SWN-0720-1DR-1000021228 IS A 70 MHz TO 20.5 GHz, REFLECTIVE SINGLE POLE SINGLE THROW SWITCH/RF BLANKING MODULE WITH AN INSERTION LOSS (PASS MODE) AT +10 dBm INPUT OF 2.0 dB MAXIMUM AND AN ISOLATION (BLANKING MODE) OF 33 dB MINIMUM.

REVISIONS				
ZONE	REV.	DESCRIPTION	DATE	APPROVED
	-	ORIGINAL RELEASE JOB# 407148E	7/30/04	

FUNCTIONAL BLOCK DIAGRAM



BLOCK DIAGRAM



AMERICAN MICROWAVE CORPORATION

7311-G GROVE ROAD
 FREDERICK, MARYLAND 21704 USA
 TEL: 301-662-4700 FAX: 301-662-4938
 WEBSITE: www.americanmicrowavecorp.com
 E-MAIL: sales@americanmicrowavecorp.com
 ISO 9001:2000 CERTIFIED



APPROVALS		DATE	TITLE	
DRAWN <i>FDS</i>		7/30/04	FUNCTIONAL BLOCK DIAGRAM SWN-0720-1DR-1000021228	
CHECKED			SIZE	REV.
ISSUED			A	-
			FSCH. NO.	DWG. NO.
			60483	100-7063
		SCALE	SHEET	
		N:S	3 OF 4	